

Mini Expanded Beam Fibre Optic Connectors

Miniature rugged fibre optic connectors 2 and 4 channel

TechOptics

Tech Optics offers a range of rugged military fibre optic expanded beam connectors suitable for deployable and fixed communication systems.

The mini-series are compatible with the TE Pro-Beam Mini and Telecast MX connector ranges.

Solutions are available in 2 and 4 channel variants.

Tech Optics can supply components, UK manufactured cable assemblies, termination training, termination tooling / kits, test, inspection and maintenance equipment.



Features and Benefits

- Small size and weight
- Easy to clean / maintain
- Up to 2 and 4 channel connectors
- Single and Multimode Variants
- Hermaphroditic mating
- Low loss
- Environmentally sealed (IP68)



Applications

- Broadcast
- Mobile tactical shelters
- Electronic battlefield networks
- Mobile emergency telecommunications stations
- Deployable outdoor, harsh environment
- Mining
- Oil and gas / offshore applications

Typical Environmental Performance Specifications

Specification	Measurement Requirements	
Insertion Loss	Singlemode (1310 / 1550nm)	Multimode (850 / 1300nm)
	0.75-1.5dB	0.75-1.0dB
	Fibre and polish dependent	fibre and polish dependent
	Return loss > 34dB	
Durability	3,000 matings minimum	
Operating Temperature	-45°C to +85°C (cable dependent)	
Water immersion	5m	
Drop Resistance	500 drops, 1.2m	
Vibration	10-500Gz, 0.75mm amplitude, 10g	
Corrosion resistance	336 hours salt spray	
Protection class	IP68 (with dust cap or mated pair)	

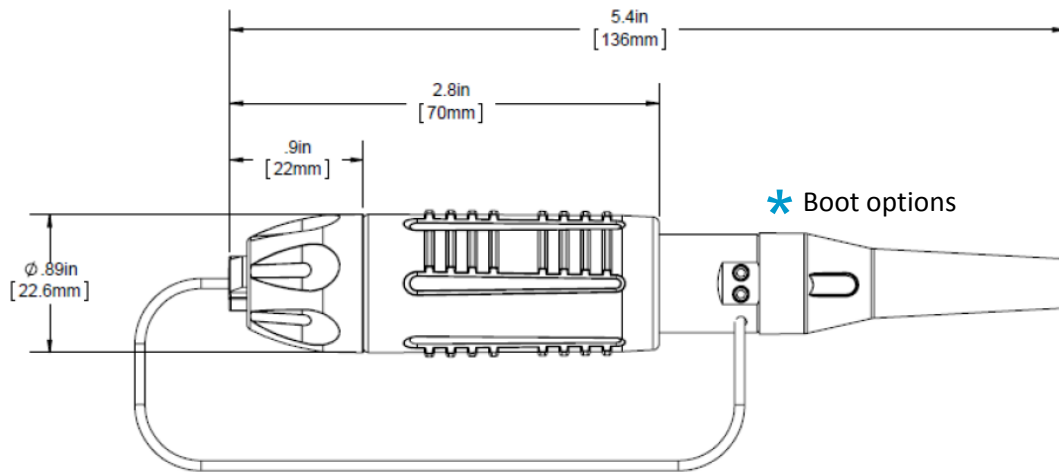


Mini Expanded Beam Fibre Optic Connectors

Miniature rugged fibre optic connectors 2 and 4 channel

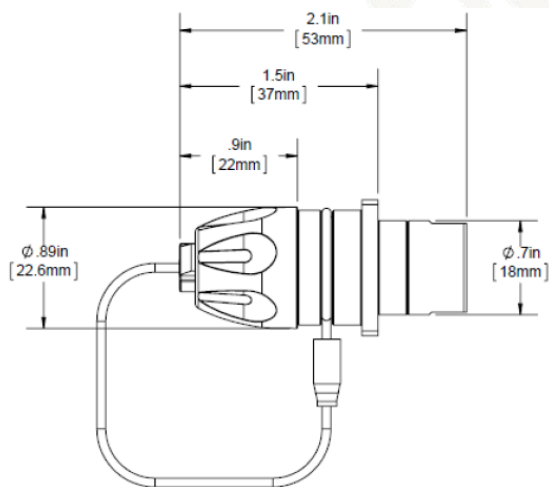
TechOptics

Connector Plug

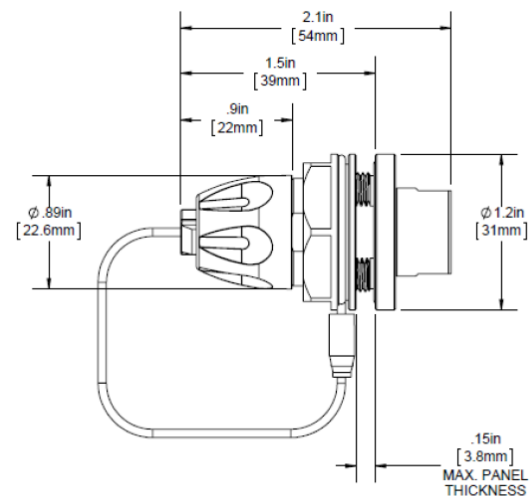


* Boots are available for cable diameters of 3.6-4.5mm, 4.6-5.5mm and 5.6-6.5mm.

Square Flange Receptacle



Jam Nut Receptacle



For further information and to discuss your application please contact:-

Tech Optics Ltd.

6 Tannery Road
Tonbridge
Kent
TN9 1RF
UNITED KINGDOM

T: +44(0)1732 770 466

E: sales@techoptics.com

TechOptics

THE FIBRE OPTICS EXPERTS

Specifications subject to change without notice.

Expanded Beam Mini - 2018

ISO9001:2015

for the distribution
of fibre optic
products and the
manufacture of fibre
optic assemblies.



**ISO 9001
Registered**

**Quality
Management**

www.techoptics.com